



42" Outdoor Gas Grill

Like their indoor counterparts, Wolf outdoor grills are precision instruments constructed of heavy-duty stainless steel. This 42-inch grill has powerful burners every five inches for even heat distribution. An electric rotisserie with infrared burner produces succulent poultry and roasts. The 25,000 Btu sear zone emits exceptionally high heat to sear meats faster and deeper. The Wolf outdoor grill can be built in or used on a cart for portable convenience. Available in natural or LP gas.



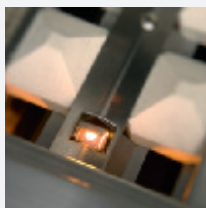
Model OG42 shown with accessory doors.

FEATURES

- Can be built in or used in a portable application with accessory cart.
- Crafted of heavy-duty stainless steel.
- Each grill burner is individually contained for independent heat control.
- Infrared sear zone direct heat sears meats to seal in juices.
- Radiant heat from ceramic briquettes mixes with direct heat for more thorough grilling.
- Two-position rotisserie system with infrared burner.
- Hexagonal burner grates provide more heat contact for even grilling.
- Two halogen lights illuminate the grilling surface—LED lit control knobs allow for night grilling.
- Electric hot surface igniters operate by pushing in control knobs.
- Double wall hood front for insulation.
- Hood assist system with concealed springs for easy opening and closing.
- Three-position warming rack stows away when not in use.



Hexagonal grates.



Hot surface igniters.

BURNER RATING

| | Btu |
|-------------------|--------|
| Grill Burners | 25,000 |
| Sear Zone | 25,000 |
| Rotisserie Burner | 16,000 |

ACCESSORIES

- Stainless steel portable grill cart with fold-down side shelves and interior pull-out tray (see below).
- Black control knobs.
- Insulating liner for built-in application.
- Stainless steel accessory doors and drawers for built-in application.
- Canvas cover.



Model OG42 Outdoor Gas Grill

Accessories are available through your authorized Wolf dealer. For local dealer information, visit the find a showroom section of our website, wolfappliance.com.

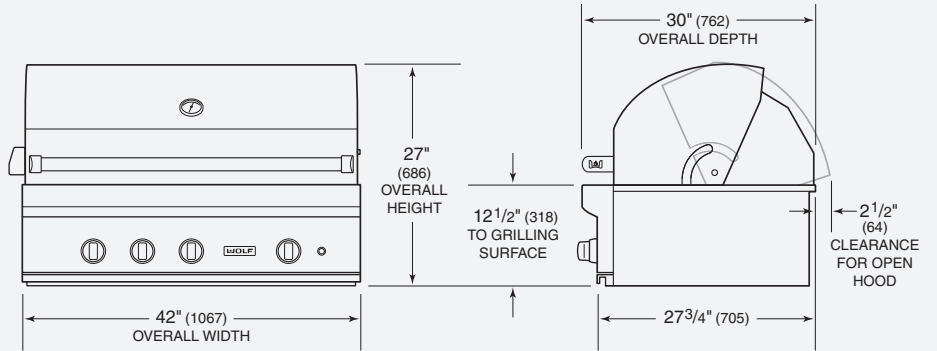


Model OG42 shown with model CART42 grill cart and model SB13 side burner.



42" Outdoor Gas Grill

OVERALL DIMENSIONS



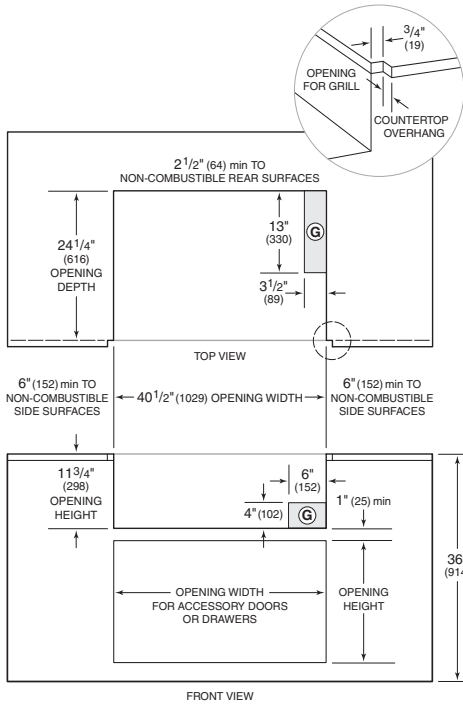
Unit dimensions may vary by $\pm 1/8$ ".

SPECIFICATIONS

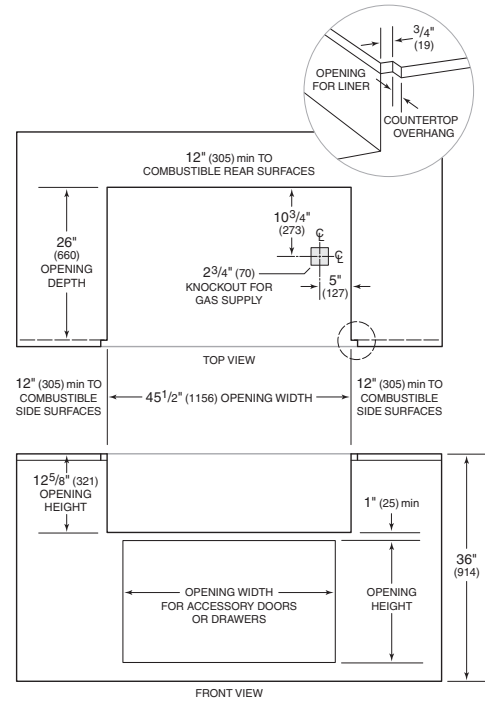
| | |
|-------------------------|---------------------------------------|
| Exterior Finish | Stainless Steel |
| Overall Width | 42" |
| Overall Height | 27" |
| Overall Depth | 30" |
| Electrical Requirements | 110/120 V AC 60 Hz, 15 amp circuit |
| Power Cord | 6' cord with grounded plug |
| Shipping Weight | 270 lbs |

INSTALLATION SPECIFICATIONS

Non-Combustible Enclosure



Combustible Enclosure with Liner



INSTALLATION NOTES

The Wolf outdoor gas grill is designed for easy placement into a built-in enclosure. Minimum clearances must be maintained as shown in the illustrations.

Complete installation specifications can be found on our website, wolfappliance.com.

Dimensions in parentheses are in millimeters unless otherwise specified.